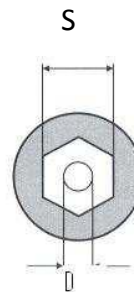


ARTHOPLASTY IMPLANTS (Titanium)

LIGAMENTOUS IMPLANTS

INTERFERENCE-BONE SCREW HARD WITH HEAD

L	Ø	S	Cat. No.	D
20	6	2.5	AIT-11020	1.0
25	6	2.5	AIT-11025	1.0
30	6	2.5	AIT-11030	1.0
20	7	3.5	AIT-12020	2.0
25	7	3.5	AIT-12025	2.0
30	7	3.5	AIT-12030	2.0
40	7	3.5	AIT-12040	2.0
20	8	3.5	AIT-13020	2.0
25	8	3.5	AIT-13025	2.0
30	8	3.5	AIT-13030	2.0
40	8	3.5	AIT-13040	2.0
20	9	3.5	AIT-14020	2.0
25	9	3.5	AIT-14025	2.0
30	9	3.5	AIT-14030	2.0
40	9	3.5	AIT-14040	2.0
20	10	3.5	AIT-15020	2.0
25	10	3.5	AIT-15025	2.0
30	10	3.5	AIT-15030	2.0
40	10	3.5	AIT-15040	2.0



WITH OUT HEAD

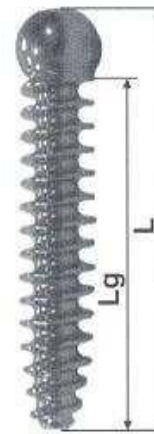
L	Ø	S	Cat. No.	D
20	6	2.5	AIT-21020	1.0
25	6	2.5	AIT-21025	1.0

D

30	6	2.5	AIT-21030	1.0
20	7	3.5	AIT-22020	2.0
25	7	3.5	AIT-22025	2.0
30	7	3.5	AIT-22030	2.0
40	7	3.5	AIT-22040	2.0
20	8	3.5	AIT-23020	2.0
25	8	3.5	AIT-23025	2.0
30	8	3.5	AIT-23030	2.0
40	8	3.5	AIT-23040	2.0
20	9	3.5	AIT-24020	2.0
25	9	3.5	AIT-24025	2.0
30	9	3.5	AIT-24030	2.0
40	9	3.5	AIT-24040	2.0
20	10	3.5	AIT-25020	2.0
25	10	3.5	AIT-25025	2.0
30	10	3.5	AIT-25030	2.0
40	10	3.5	AIT-25040	2.0

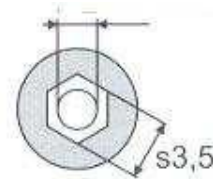
INTERFERENCE SCREW SOFT 7MM Ø

RIGHT HANDED THREAD		LEFT HANDED THREAD	
CAT NO	L	LG	CAT NO
AIT-31025	25	19.2	AIT-41025
AIT-31030	30	25.2	AIT-41030
AIT-31035	35	29.2	AIT-41040
AIT-31040	40	34.2	AIT-41040
AIT-31045	45	39.2	AIT-41045
AIT-31050	50	44.2	AIT-41050



8MM Ø

RIGHT HANDED THREAD		LEFT HANDED THREAD	
CAT NO	L	LG	CAT NO
AIT-51025	25	21.6	AIT-61025
AIT-51030	30	26.6	AIT-61030
AIT-51035	35	31.6	AIT-61040
AIT-51040	40	36.6	AIT-61040
AIT-51045	45	41.6	AIT-61045
AIT-51050	50	46.6	AIT-61050



9MM Ø

RIGHT HANDED THREAD		LEFT HANDED THREAD	
CAT NO	L	LG	CAT NO
AIT-71025	25	21	AIT-81025
AIT-71030	30	26	AIT-81030
AIT-71035	35	31	AIT-81040
AIT-71040	40	36	AIT-81040
AIT-71045	45	41	AIT-81045
AIT-71050	50	46	AIT-81050

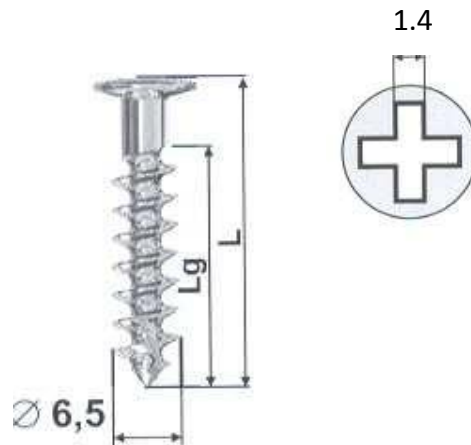
LOW PROFILE CORTICAL SCREW Ø 4.5MM

L	LG	CAT NO
25	17	AIT-91025
27	19	AIT-91027
30	22	AIT-91030
32	24	AIT-91032
37	29	AIT-91029
40	32	AIT-91040
42	34	AIT-91042
45	37	AIT-91045
47	39	AIT-91047
50	42	AIT-91050
55	47	AIT-91055
57	49	AIT-91057
60	52	AIT-91060



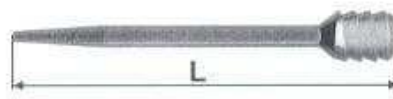
LOW PROFILE CANCELLOUS SCREW Ø 6.5MM

L	LG	CAT NO
27	17	AIT-11027
30	22	AIT-11030
35	27	AIT-11035
40	32	AIT-11040



BLOCK PEG

L	CAT NO
40	AIT-11140
50	AIT-11150



LIGAMENOUS PLATE

4x12	AIT-11204
------	-----------



LIGAMENOUS WASHER



Ø6.5MM AIT-11306



Ø8MM AIT-11408



Ø14MM AIT-11514

WASHER



Ø 14MM
AIT-11614



Ø 18MM
AIT-11718

WASHER WITH SPIKES



Ø14MM
AIT-11814



Ø 18MM
AIT-11918

OSTEOTOME AIT-3942



FILE AIT-4042



MALLET BLOCKING PEG AIT-4142



CUTTER AIT-4242



KNIFE FOR TRANSPLANT TAKE UP AIT-4342



HOLDER AIT-4442



KNIFE FOR TENDON TAKE UP AIT-4542



CANNULATED DRILL

Ø 5MM AIT-4642

Ø 6MM AIT-4742

Ø 7MM AIT-4842

Ø 8MM AIT-4942

Ø 9MM AIT-5042

Ø 10MM AIT-5142



CANNULATED CUTTER

- Ø 5MM AIT-5242
- Ø 6MM AIT-5342
- Ø 7MM AIT-5442
- Ø 8MM AIT-5542
- Ø 9MM AIT-5642
- Ø 10MM AIT-5742



REAMER

- Ø 6MM AIT-5842
- Ø 6.5MM AIT-5942
- Ø 7MM AIT-6042
- Ø 7.5MM AIT-6142
- Ø 8MM AIT-6242
- Ø 8.5MM AIT-6342
- Ø 9MM AIT-6442
- Ø 9.5MM AIT-6542
- Ø 10MM AIT-6642



CANNULATED SCREW DRIVER

- Ø 2.5MM AIT-6742
- Ø 3.5MM AIT-6842



DEPTH GAUGE

- Ø 5/6 AIT-6942
- Ø 7/8 AIT-7042
- Ø 9/10 AIT-7142



CHUCK WITH HANDLE AIT-7242

